

Perfect for displaying
food at its best.

SSS-HFB



HOT FOOD BARS

Sharpline 

Australian made – Australian owned

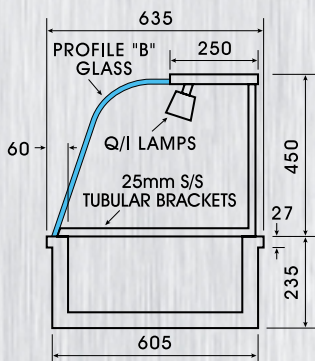
HOT FOOD BARS

SSS-HFB

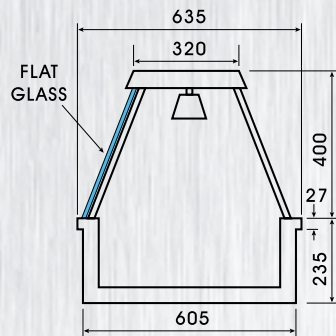


The Sharpline Hot Food Bars are available in five standard sizes. They are designed to hold food at the optimum temperature whilst displaying food at its best. All sizes are available with straight or curved glass. Special sizes can be supplied to your requirements.

Standard sectional details of Curved Glass



Standard sectional details of Flat Glass



Some of the features and specifications include:

Can be used for wet or dry operation.

Supplied with 65mm deep food pots.

The double skin construction consists of an inner tank and an outer body with cool to the touch stainless steel panels. Manufactured from 18-10 grade stainless steel.

The all round extended lip allows for easy drop-in bench mounting.

The overhead quartz halogen lamps, which provide the heating and lighting, are mounted within an insulated stainless steel canopy.

All units will take up to 150 mm deep food pots.

The heating element is thermostatically controlled.

All models operate on single phase power and are supplied with 2 metres of cable and a 15 amp plug.

MODEL	LENGTH	WIDTH	HEIGHT*	FOOD HALF	FOOD HALF
HBF 2	840	635	635	2	1
HBF 3	1170	635	635	2	2
HBF 4	1500	635	635	4	2
HBF 5	1830	635	635	4	3
HBF 6	2160	635	635	4	4

*NOTE: Curved Glass units are 50 mm higher

For further information visit our web site!
www.sharpline.com.au

Sharpline



Australian made – Australian owned

700 Sydney Road (Cnr Gaffney Street)
 Coburg Victoria Australia 3058
 Phone 03 9354 0277 Fax 03 9354 0278
 Email: sharpline@sharpline.com.au
www.sharpline.com.au

STAINLESS STEEL PTY LTD

ABN 95 880 037 140

Specifications subject to change without notice

Design/Production: Roman Zylinski advertising Services. 03 9561 9957. roman.zylinski@bigpond.com