

Clear the tables of
crookery and cutlery – fast!

SSS-ST



COMMERCIAL SERVICE TROLLEYS

Sharpline



Australian made – Australian owned

COMMERCIAL SERVICE TROLLEYS

SSS-HDST SSS-HDST/SR

SSS-LDST SSS-LDST/SR



Sharpline Service Trolleys are designed to facilitate the clearing of tables and general clean up in food service establishments.

Features of the Trolleys:

Heavy and light duty models available.

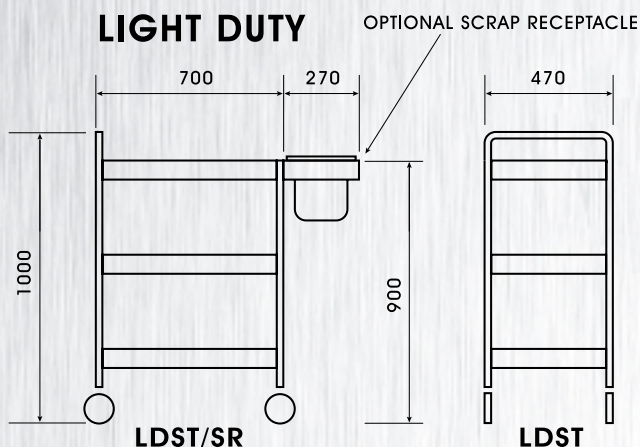
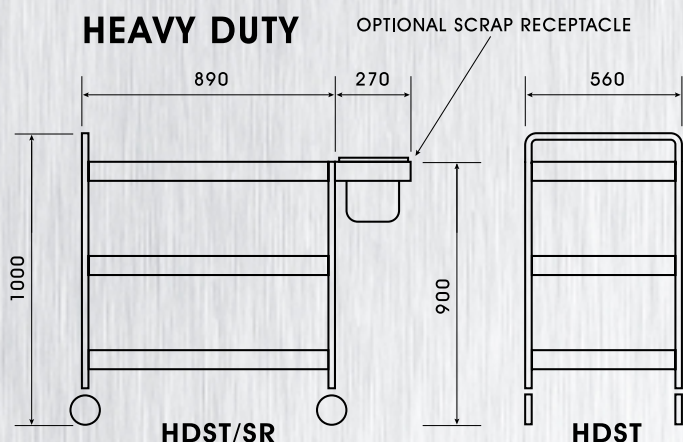
Satin finish 18-10 stainless steel construction.

Trolleys are easy to manoeuvre with 100 mm castors fitted. 2 fitted with brakes.

As an option, both models can be fitted with scrap receptacles.

As well as the standard range, Sharpline Stainless Steel can custom build trolleys to your specifications.

*For further information visit our web site!
www.sharpline.com.au*



Sharpline

Australian made – Australian owned

700 Sydney Road (Cnr Gaffney Street)
Coburg Victoria Australia 3058
Phone 03 9354 0277 Fax 03 9354 0278
Email: sharpline@sharpline.com.au
www.sharpline.com.au

STAINLESS STEEL PTY LTD

ABN 95 880 037 140

Specifications subject to change without notice

Design/Production: Roman Zylinski advertising Services. 03 9561 9957. roman.zylinski@bigpond.com