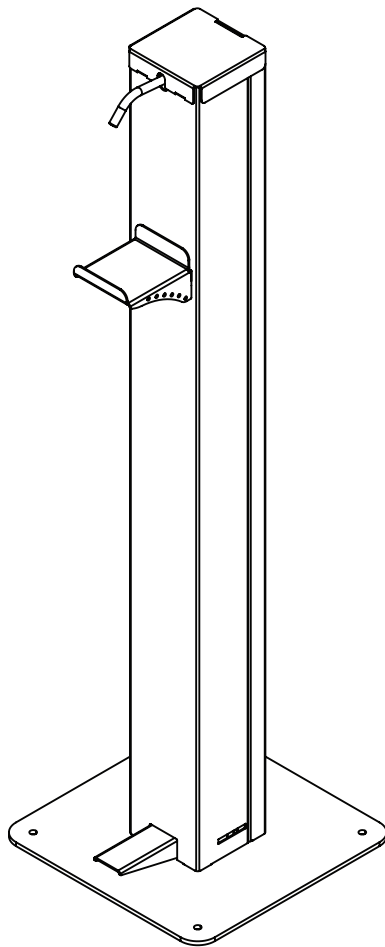
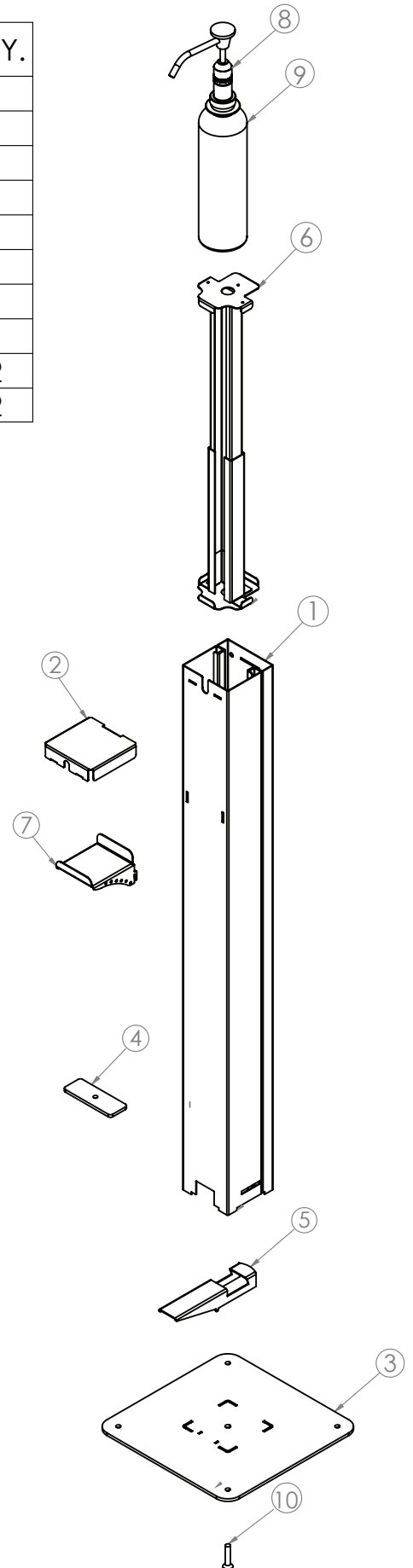


# Sanitise Bollard Station Installation Manual

| ITEM NO. | DESCRIPTION          | QTY. |
|----------|----------------------|------|
| 1        | BOLLARD POST         | 1    |
| 2        | LID                  | 1    |
| 3        | BASE PLATE           | 1    |
| 4        | LINK BAR             | 1    |
| 5        | FOOT PEDAL           | 1    |
| 6        | PUSHER               | 1    |
| 7        | DRIP TRAY            | 1    |
| 8        | PUMP WITH S/S NOZZLE | 1    |
| 9        | PLASTIC BOTTLE       | 2    |
| 10       | M8 SCREW             | 2    |



\*\*\* SHOWN AS FULLY ASSEMBLED \*\*\*



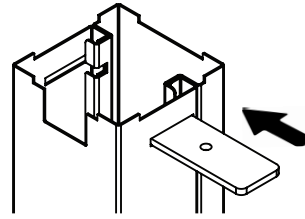
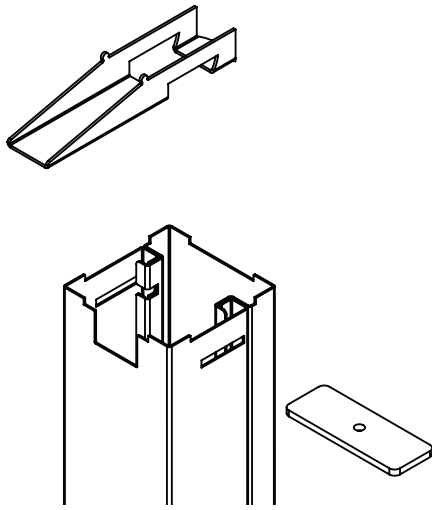


FIG. 1

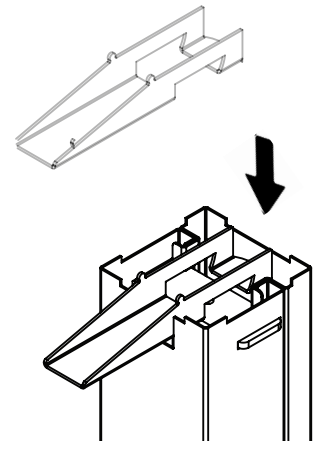
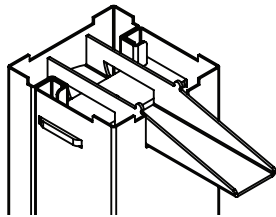
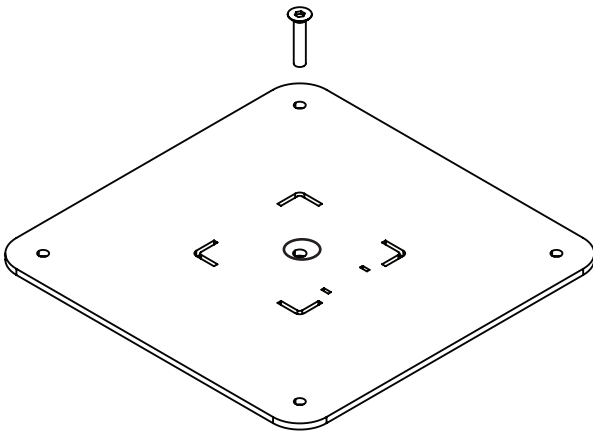
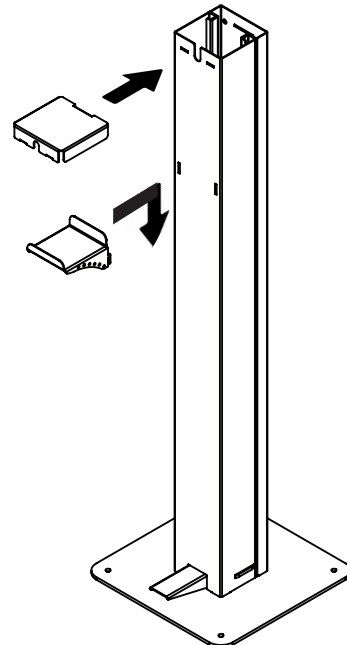
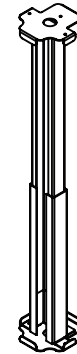


FIG. 2

**STEP 1** - Flip Bollard post upside down then slide Link Bar into slot followed by resting the foot pedal on the Link Bar (SEE FIG. 1 & 2)



**STEP 2** - Install base plate and fasten screw down.



**STEP 3** - Flip bollard so its standing up, then insert pusher inside bollard post, then insert bottle and pump. Slide Lid over and clip on Drip tray.